

# UAVCAN NODE

GERALD PEKLAR  
PX4 HW CALL  
29, OCT, 2019



PUBLIC



SECURE CONNECTIONS  
FOR A SMARTER WORLD

# UAVCAN node board

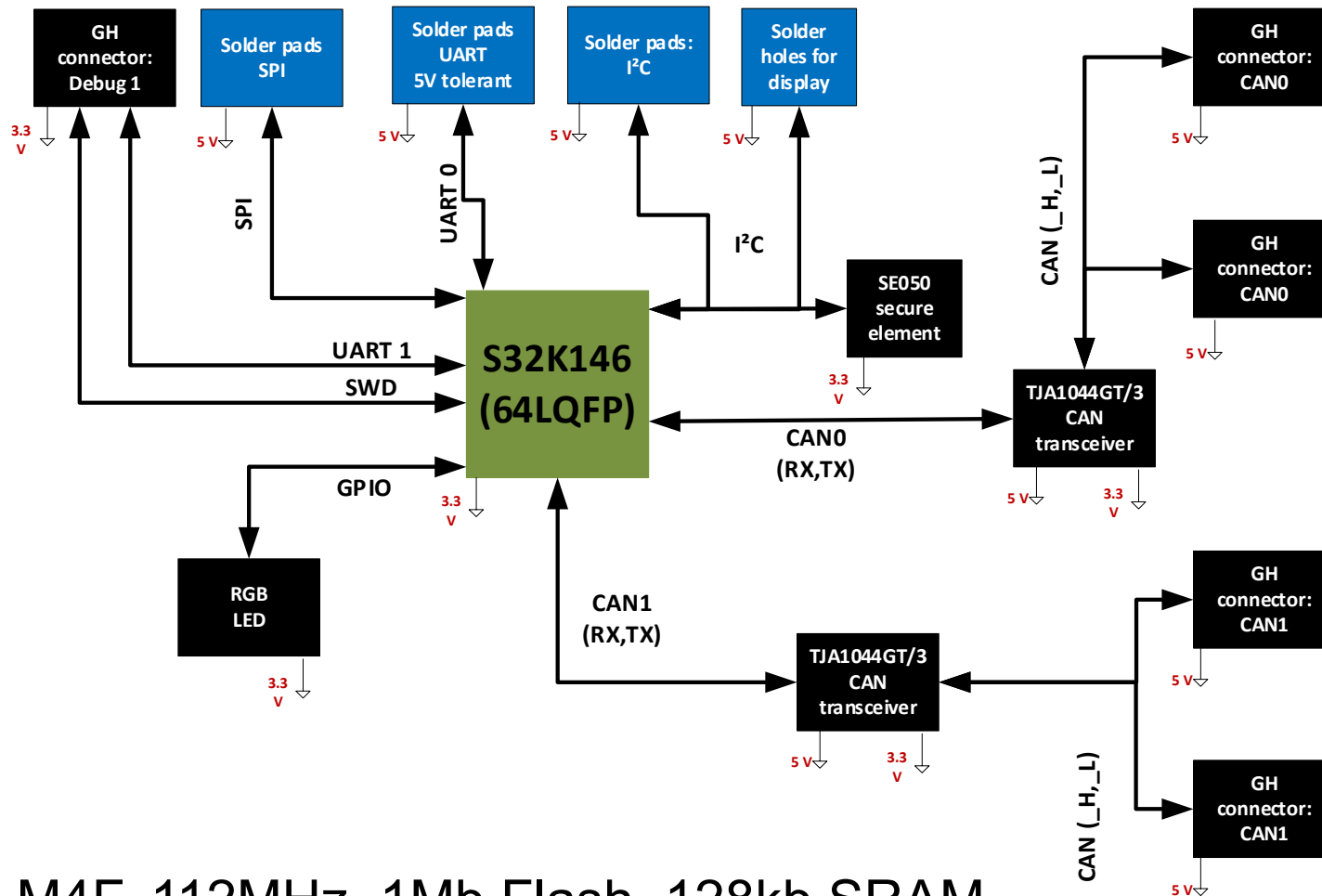
Small CAN node board to connect various peripherals to CAN FD bus.

- I2C
- SPI
- UART
- RGB LED



# UAVCAN node board

Small adapter board to connect various peripherals to CAN FD bus.



S32K146: M4F, 112MHz, 1Mb Flash, 128kb SRAM

# We're friendly 😊

## **Iain Galloway**

Drone program lead

Austin, TX, USA

[iain.galloway@nxp.com](mailto:iain.galloway@nxp.com)

## **Gerald Pekar**

Drone project coordinator

Hamburg, Germany

[gerald.peklar@nxp.com](mailto:gerald.peklar@nxp.com)

<https://www.nxp.com/uav>

<https://www.nxp.com/hovergamesdrones>

<https://www.hovergames.com>



**SECURE CONNECTIONS  
FOR A SMARTER WORLD**